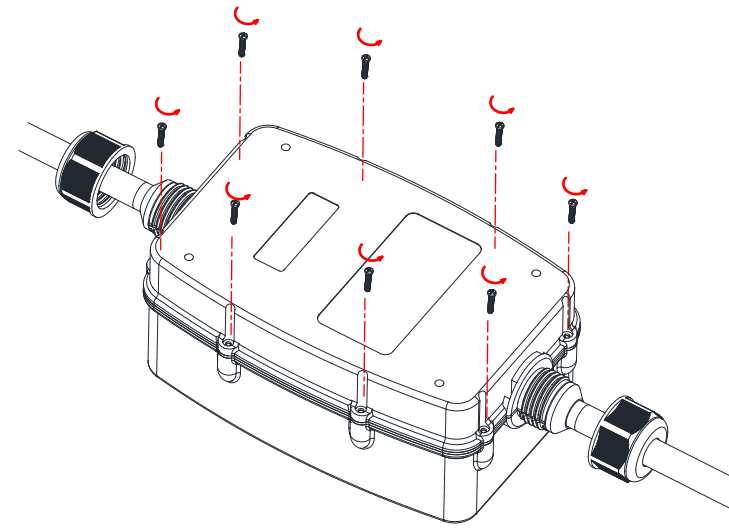
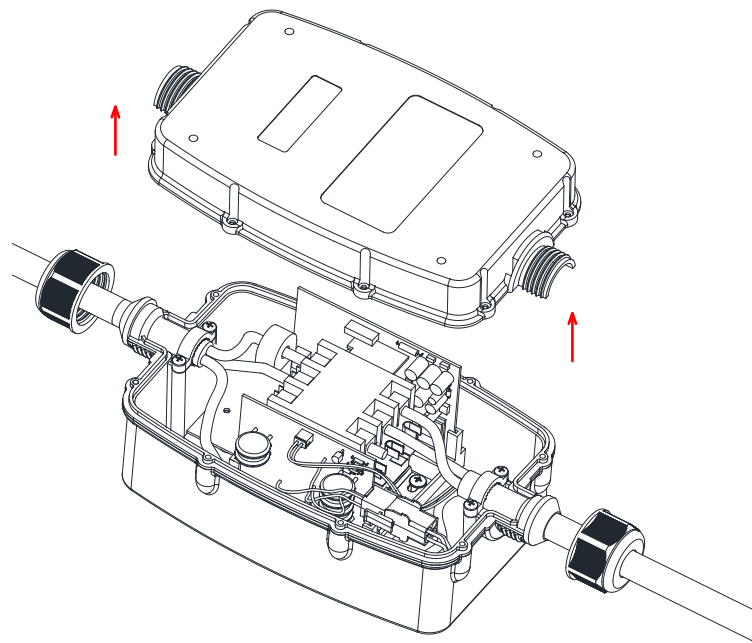


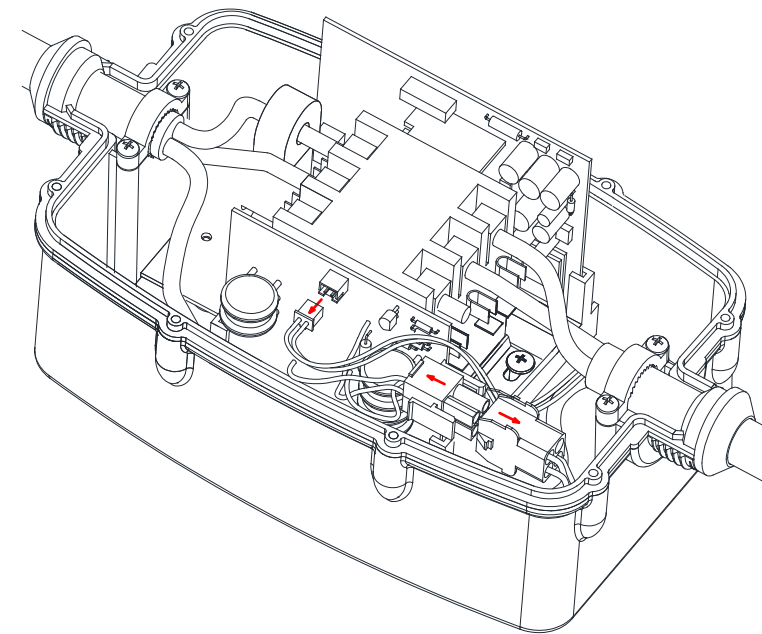
Step one:
Loosen and unscrew the top and bottom cable gland connectors



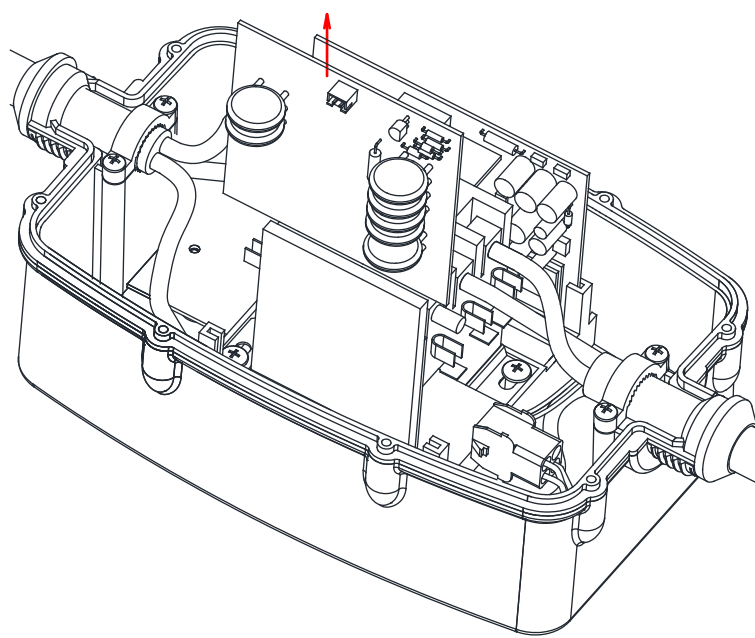
Step two:
Unscrew the 8 Phillips screws on the back side of the unit



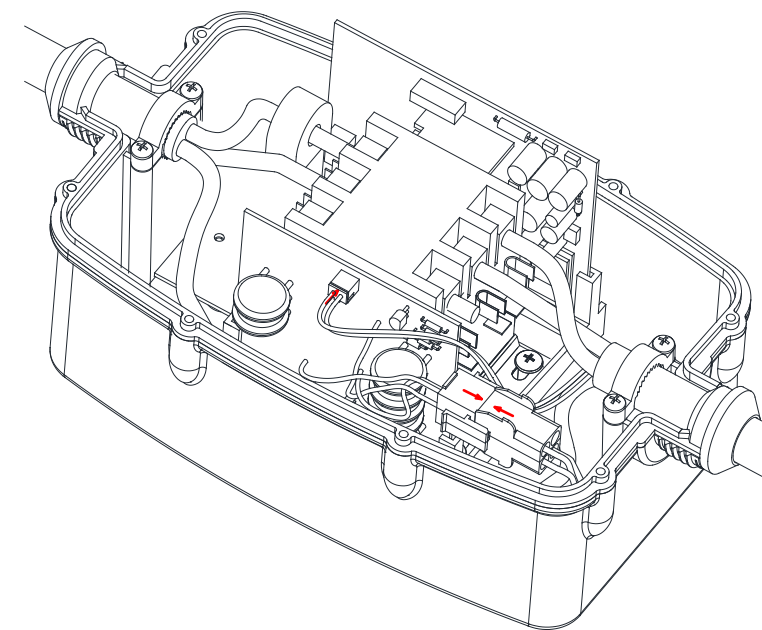
Step three:
Carefully separate the top and bottom halves of the Power Watchdog Unit.



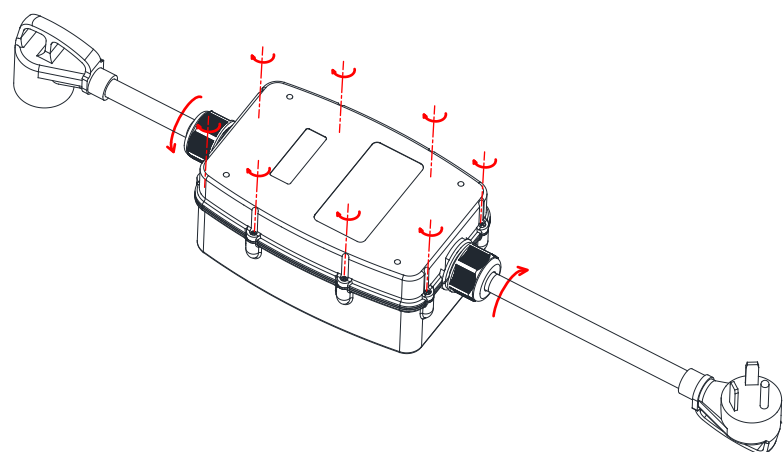
Step four:
unclip the connections. Take note of where these connections come from.



Step five:
Carefully slide out the used up surge module.



Step six:
Slide in the new surge module into the slots inside the Power Watchdog unit.
clip the connections.



Step seven:
Place top and bottom halves together, rescrew all the screws, tighten down the cable gland connectors.