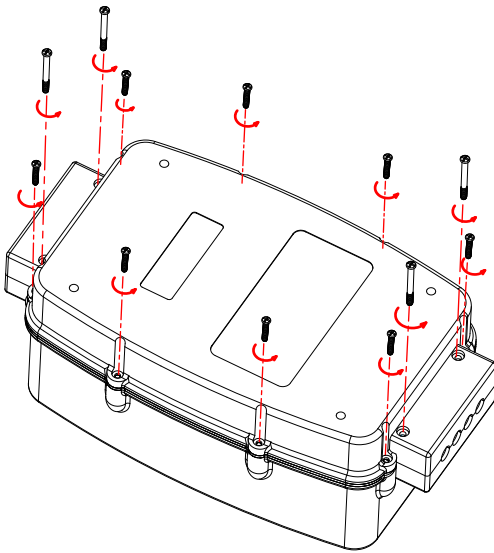
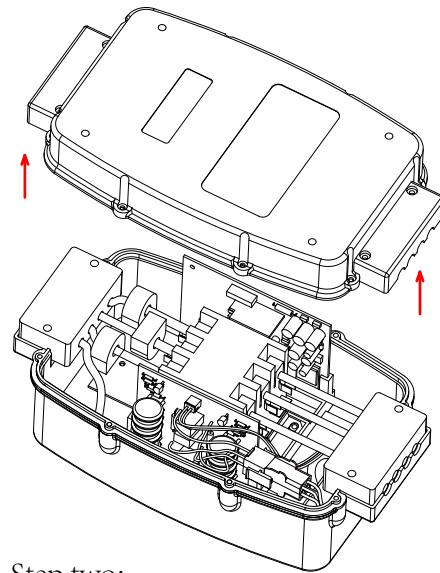


PWD50-EPO-H SURGE MODULE REPLACEMENT INSTRUCTIONS



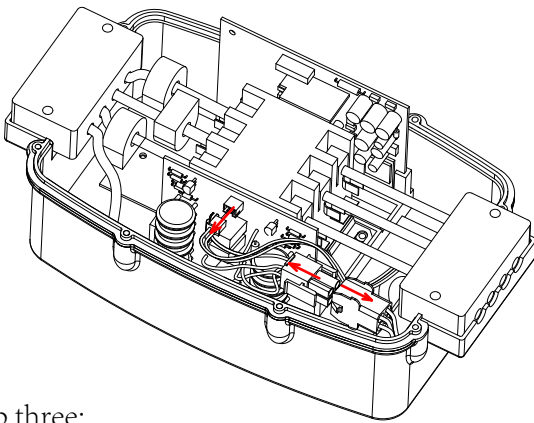
Step one:

Unscrew the 8 Phillips screws (M3*16) & 4 Phillips screws (M3*30) on the back side of the unit.



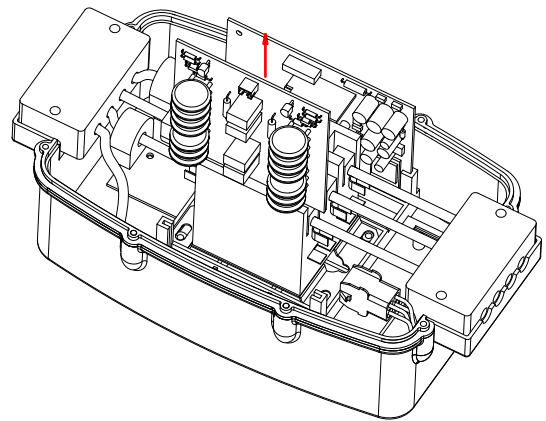
Step two:

Carefully separate the top and bottom halves of the Power Watchdog Unit.



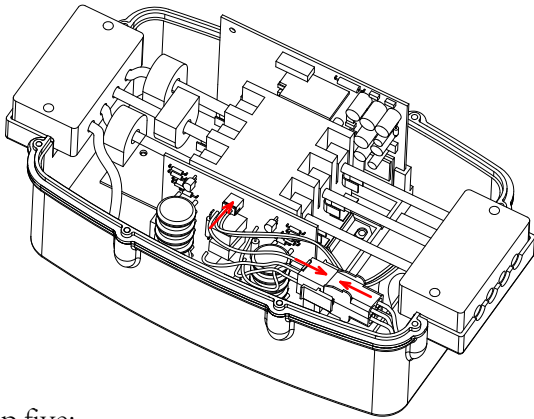
Step three:

Unclip the connections. Take note of where these connections come from.



Step four:

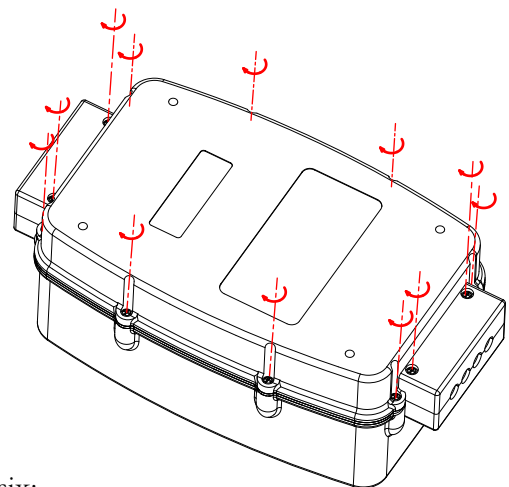
Carefully slide out the used up surge module.



Step five:

Slide in the new surge module into the slots inside the Power Watchdog unit. clip together the connections.

*Note-you may use the white connector only, or you may use the red and white connectors. Just match the color and size of your connectors.



Step six:

Place top and bottom halves together, rescrew all the screws, tighten down the cable gland connectors.

*Do not overtighten the screws.